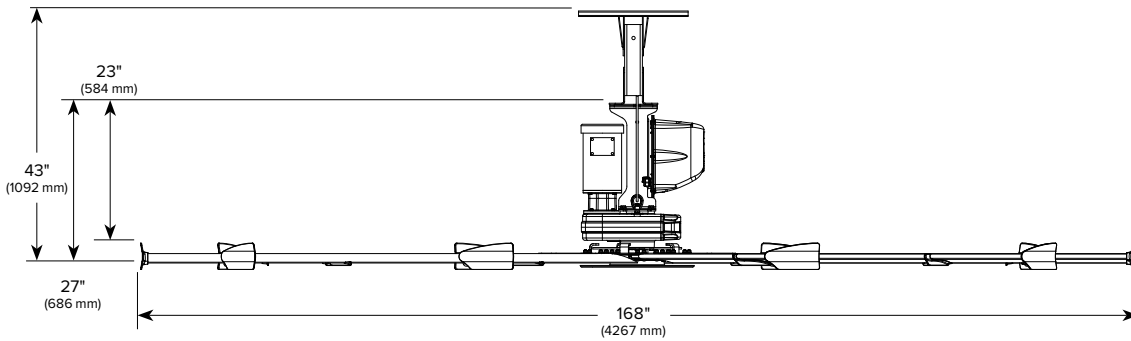


POWERFOIL® X2.0

with Nitro Seal Drive™

14 Ft

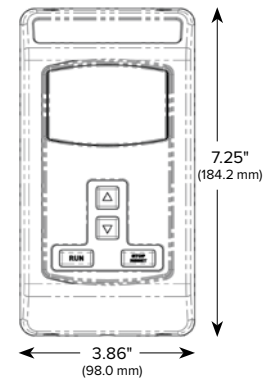


Extension Tubes
1 ft (0.3 m) to 15 ft (4.5 m)
Standard 1 ft (0.3 m) shown

Technical Specifications	
Model number	PFX2.0-14
Number and type of airfoils	10 patented Powerfoil® airfoils 10 patent-pending AirFence™
Airfoil finish	Mill finish aluminum or custom color finish
Winglet (standard color)	10 patented Powerfoil winglets (safety yellow)
Fan weight (as shown)	309 lbs [140 kg]
Motor	1.5 HP [1.1 kw]; c-face motor adaptor
Maximum speed	95 RPM
Maximum amps	5.0 A @ 200–250 V 2.5 A @ 400–480 V
Input power and required breaker	200–250 VAC, 50/60 Hz, 1 Φ, 30 A 200–250 VAC, 50/60 Hz, 3 Φ, 15 A 400–480 VAC, 50/60 Hz, 3 Φ, 10 A
Purpose-built STOBBER Drives gearbox	NitroSeal Drive™ with <11 arc minutes backlash, HeliCamber® gear technology, SKF tapered roller bearings, 2-1/2" [63.5 mm] hollow output shaft, Simrit® double lipped output seals, lifetime synthetic oil, Nitrogen filled and permanently sealed
Redundant safety features	Airfoil retainers, hub clips, safety cables, grade 8 bolts
Onboard controller	Polycarbonate based enclosure, built-in heatsink
Controller	X-series; digital wall keypad Includes 150 ft of factory-assembled CAT5 cable
Fire relay	Included
Mount (standard)	Small Ibeam
Mount (options)	Large Ibeam, spanned angle iron, small/large L-bracket, Z-purlins
Sound level at maximum speed ¹	< 55 dBA
Minimum airfoil clearances required	2 ft [0.6 m] on sides, 4 ft [1.2 m] below ceiling deck
Certifications (whole fan)	ANSI/UL 507 CAN/CSA C.22.2 No. 113-08

¹Sound level measured at a blade height of 20 ft [6 m] and 20 ft [6 m] horizontally from center of fan.

X-Series Wall Keypad



- Provides full control of all fan functions
- Can be located up to 1,000 ft from fan
- Single keypad can operate unlimited number of fans
- Lockout with 4-digit passcode



15 year parts, 1 year labor warranty; certain exclusions apply. See complete warranty for details.

OPTIONS

- SmartSense365 for year-round automated control
- 24 hr digital timer
- Custom color packages
- 100 W Halide light
- Security camera
- 8 ft — 24 ft diameters

Covered by one or more of the following U.S. Patents: 6,244,821; 6,589,016; 6,817,835; 6,939,108; 7,252,478; 7,284,960; 7,654,798; D587,799; D607,988 and other patents pending.

©2012 Delta T Corporation dba the Big Ass Fan Company. All rights reserved. BAF1702-05/12-01-00D

Big Ass Fan Company | An ISO 9001:2008 certified company

800 Winchester Road, Lexington, KY 40505
877-BIG FANS (877-244-3267)
www.BigAssFans.com

22/1029 Manly Rd, Tingalpa, QLD 4173, Australia
(07) 3292 0100
www.BigAssFans.com.au

BIG ASS FANS
No Equal.