



Oscillation Sensation



“Ceiling-space-challenged” operations – like many manufacturing, distribution and service center facilities – need cooling air movement over large areas, but may not have the overhead space to accommodate 8 to 24-foot ceiling-mounted Big Ass Fans®. Pivot 180 responds to this need because it is designed to be installed on a column or other vertical structure. Pivot 180’s oscillating function allows the air generated to radiate 100 feet outward, enveloping a 180 degree arc from side to side – a coverage area of an incredible 12,000 square feet. If more concentrated air movement is required, the oscillating function can be switched off easily and the fan aimed in one direction. For even more control, the fan can be easily pivoted up or down for optimal air flow. Pivot 180 is the perfect air movement solution for areas with ceiling obstructions or tight spaces.

Features and Benefits

Oscillation

- Over 12,000 ft² coverage area
- 180 degrees of air flow
- Proprietary airfoil and winglet combination for maximum air movement

Flexible and Versatile

- Versatile mounting system for most structural columns
- Flexible pivoting joints allow head angle adjustments
- Oscillation function can be turned off while aimed in any direction for more concentrated air flow

Low Noise

- 8 times quieter than a 34 inch, high-velocity fan
- Compact right angle drive designed for high efficiency, low noise, and a long service life

Simple, easy-to-use controls

- Compact, easy-to-use touch pad and dial controller for customizable comfort and adjustable air speed
- Lock out, tag out switch to control oscillation on/off function



Ask how Big Ass Fans contributes to LEED® credits in:
Optimized Energy Performance; Enhanced Refrigerant Management;
Minimum Indoor Air Quality Performance; Increased Ventilation;
Thermal Comfort – Design; Innovation in Design.

 **BIG ASS FANS®**

WWW.BIGASSFANS.COM

An ISO 9001:2000 certified company

No Equal.



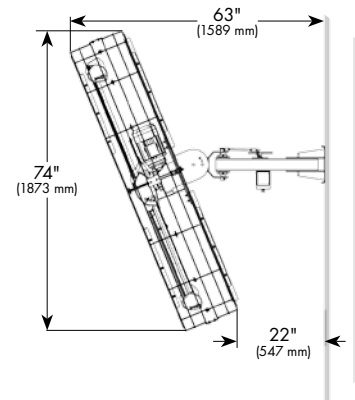
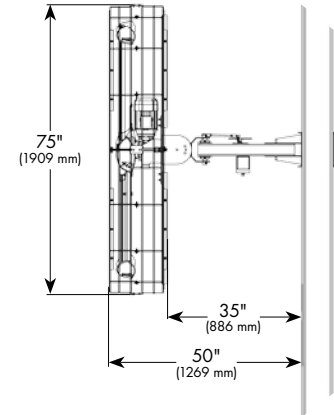
TECHNICAL SPECIFICATIONS

Technical Specifications	
Fan diameter	6 ft (1.8 m)
Number and type of airfoils	6 Patented ¹ Windy airfoils
Airfoil finish	Mill finish aluminum
Winglet (standard color)	Patented ² Pivot winglet (safety yellow)
Controller	Pivot 180 variable speed control
Input power and required breaker	100-125 VAC, 50/60 Hz, 1 Φ , 20 A 200-250 VAC, 50/60 Hz, 1 Φ , 15 A 200-250 VAC, 50/60 Hz, 3 Φ , 15 A 400-480 VAC, 50/60 Hz, 3 Φ , 10 A
Motor	1.0 HP (0.75 kw)
Maximum speed	180 RPM
Maximum amps	16 A @ 100-125 VAC 10 A @ 200-250 VAC 10.8 A @ 200-250 VAC 5.3 A @ 400-480 VAC
Sound level (maximum speed) ³	< 55 dBA
Minimum airfoil clearances required	2 ft (0.61 m) on sides
Oscillator Specifications	
Oscillator switch	On/Off control
Input power and required breaker	100 - 125 VAC, 60 Hz, 10 A
Motor	0.05 HP (0.0372 kw)
Speed	1.5 OPM (oscillations per minute)
Maximum amps	0.32 A @ 100 - 125 VAC

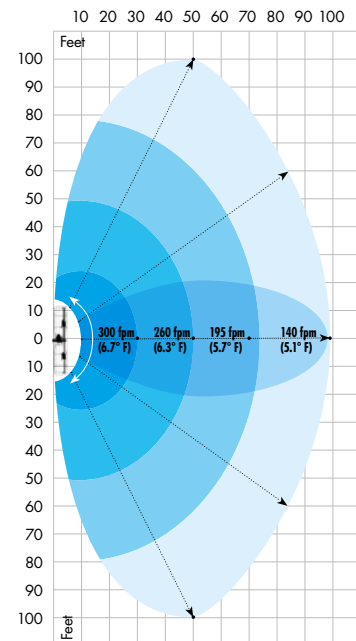
¹ U.S. Patent # 6,939,108

² U.S. Patent # 7,252,478

³ Sound level at a blade height of 20 ft (6.1 m)



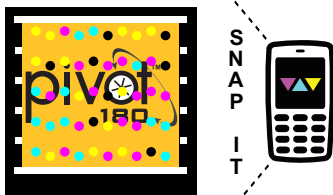
Coverage Area



fpm = Feet per minute

- Air speeds are the average velocity for each zone
- Air speeds were measured 43" from the floor
- Perceived cooling (parentheses) based on ASHRAE Thermal Comfort Tool (air temp 85°F, relative humidity 50%, clo 0.5)

This "tag" allows you to view product demos right on your mobile phone.



Simply open your phone's browser and download the free app at www.gettag.mobi, then follow the directions to scan or snap this tag to see Pivot 180 in action.

Mobile site URL is <http://www.bigassfans.com/pivot180>. Mobile downloads are not compatible with Verizon.

May be covered by one or more of the following U.S. Patents: 6,244,821; 6,589,016; 6,817,835; 6,939,108; 7,252,478; 7,284,960; D587,799; D607,988 and other patents pending.



Big Ass Fans
2425 Merchant Street
Lexington, KY 40511
877-BIG FANS
(877-244-3267)
www.BigAssFans.com

Big Ass Fans Australia Pty Ltd
PO Box 4341
Loganholme DC, QLD 4129
Australia
+61 (07) 3209 8007
www.BigAssFans.com.au